



**EQUALIZER**<sup>TM</sup>  
INTERNATIONAL

# SW14.5TI

INTEGRAL HYDRAULIC  
FLANGE SPREADER

**SPREADING FORCE = 14.5 T (145 kN)**

It is recommended that tools are used in pairs giving  
 $2 \times 14.5 = 29 \text{ T (290 kN)}$

**TOOL WEIGHT = 9 kg (19.8 lb)**

## KIT COMPONENTS

- 1 x SW14.5TI Wedgehead
  - 1 x 10,000 psi (700 bar) Integral Hydraulic Pump/Cylinder
  - 2 x Stepped Blocks
  - 1 x Safety Block
  - 1 x Carry-Strap
  - 1 x Instruction Manual
  - 1 x Carry-Case
- Product Code: SW14.5TISPB

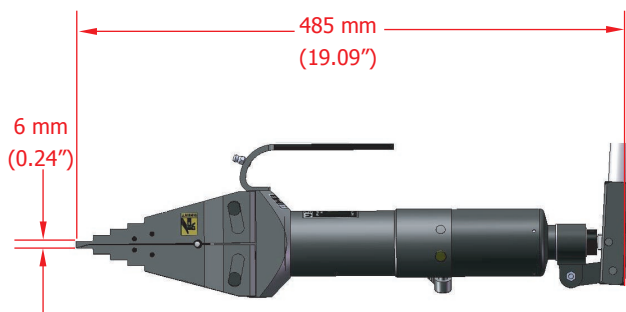
## WEIGHTS AND DIMENSIONS

- Wedge with Integral Hydraulic Pump Cylinder = 9 kg (19.8 lb)
- Carry-Case = 2.5 kg (5.5 lb)
- GROSS WEIGHT = 14 kg (28.6 lb)**

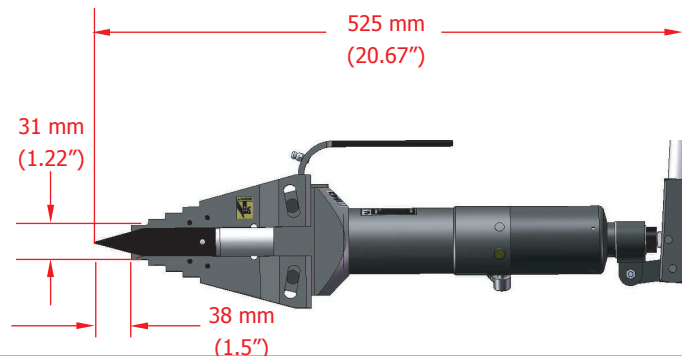
Carry-Case Dimensions: 580 x 340 x 180 mm (22.8" x 13.4" x 7")



### TOOL DIMENSIONS - CLOSED



### TOOL DIMENSIONS - OPEN





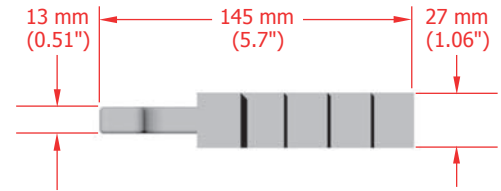
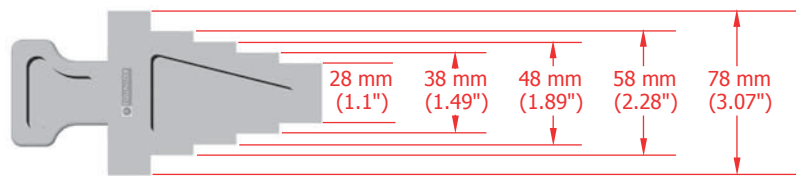
### TOOL DIMENSIONS - CLOSED



### TOOL DIMENSIONS - OPEN



### SAFETY BLOCK DIMENSIONS

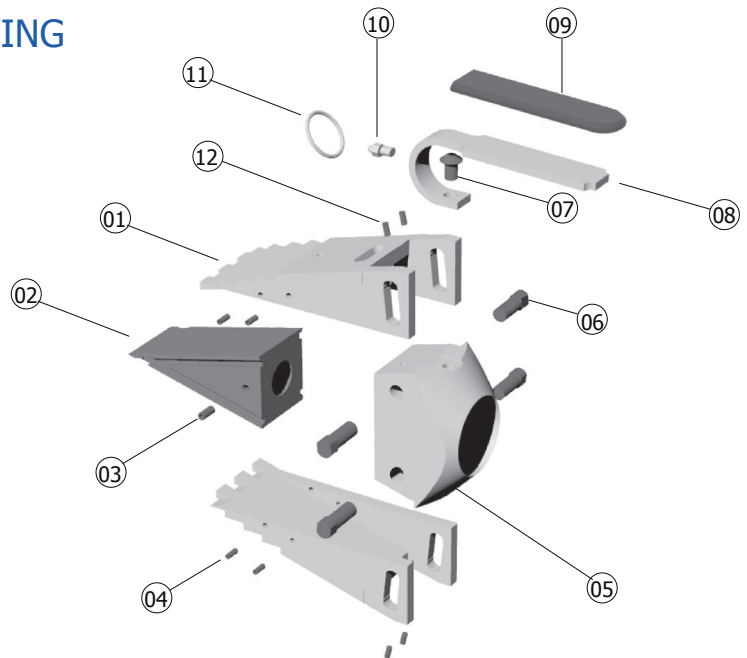


### RANGE OF APPLICATION

All flanges with a minimum access gap of 6 mm (0.24")

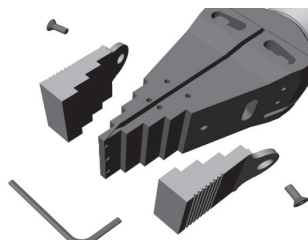
### PARTS LIST AND EXPLODED DRAWING

ITEM	PART No.	DESCRIPTION	QUANTITY
01	300203-02	JAWS	01 set of 2
02	300101-01	WEDGE	01 each
03	301301-01	GRUB SCREW	01 each
04	301201-08	ROLL PINS	01 set of 8
05	301102-01	BODY	01 each
06	300501-04	SLIDE PINS	01 set of 4
07	401801-01	RETAINING SCREW	01 each
08	308201-01	HANDLE	01 each
09	312301-01	HANDLE SLEEVE	01 each
10	310601-01	GREASE NIPPLE	01 each
11	311601-02	RING	01 set of 2
12	300401-04	GRUB SCREWS	01 set of 4



### STEPPED BLOCKS

Stepped Blocks can be used singularly or in pairs to increase the maximum spreading distance of the SW14.5TI to 81mm.



### WEIGHTS AND DIMENSIONS

Stepped Block = 0.52 kg (1.14 lb)  
GROSS WEIGHT = 1.5 kg (3.5 lb)

